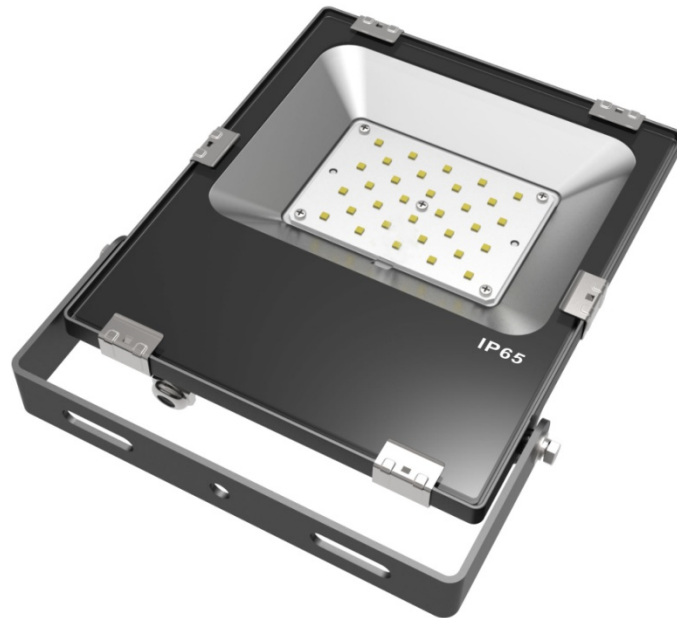


**LEDLUMEN**<sup>®</sup>  
LED Technologie

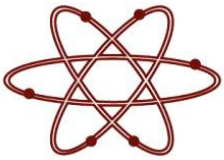
*Your brightness is our success!*

## LL-TG3B-3



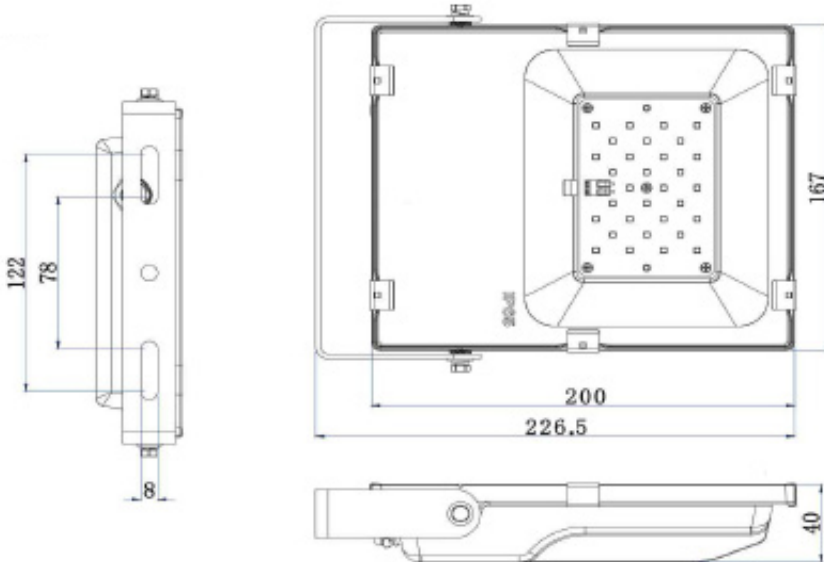
TECHNISCHE DATEN			
<b>Model</b>	LL-TG3B-3		
<b>Product Specification</b>	<b>Material</b>	AL + Glass	
	<b>LED Type</b>	SMD-3030	
	<b>LED Quantity</b>	30 pcs	
<b>Electrical Parameters</b>	<b>Power</b>	30W	
	<b>Input Voltage</b>	100-240VAC	
	<b>Output Voltage</b>	30-36VDC	
	<b>Power Efficiency</b>	>0.9	
<b>Optical Parameters</b>	<b>Luminosity</b>	3450Lm±10%	
	<b>Illumination</b>	<b>5m</b>	55Lux
		<b>10m</b>	14Lux
		<b>15m</b>	6Lux
	<b>Light Efficiency</b>	115Lm/w±10%	
	<b>CRI</b>	>70	
	<b>Color Temperature</b>	4000K/5000K/6000K	
<b>Beam Angle</b>	110°		
<b>Package</b>	<b>Package Size (mm)</b>	535*405*260mm	
	<b>QTY of Package</b>	20 pcx	
	<b>Piece Weight (Kg)</b>	1.32 kg	
	<b>Net Weight (Kg)</b>	26.4 kg	
	<b>Gross Weight (Kg)</b>	27.38 kg	
<b>Lamp Type</b>	III		
<b>Installation</b>	Bare		
<b>IP Rate</b>	IP65		
<b>Lifespan</b>	50.000h		
<b>Working Temperature</b>	-25° - +50°		





## LL-TG3B-3

### Bemaßung



- Alle Lampen sind mit Meanwell Driver ausgerüstet
- Garantiezeit: 5 Jahre
- Schutzklasse IP65

